



Models- 8105 Commercial, 8200, 8600 pin lock
Single Door Vacuums

Page 2	Product Information
Page 3	Specifications
Page 4	Important Safety Instructions
Page 5	Product Dimensions
Page 6-8	Installation
Page 8-9	Programming
Page 10	Operating Instructions
Page 10-11	Maintenance & Troubleshooting
Page 12-18	Parts List
Page 19-20	Wiring Diagram



8105



8200



8600LD

PRODUCT INFORMATION

Please take a moment to fill out the information below in order to aid us with any future sales or service inquiries. Model number and serial number information can be found on the serial tag located inside the control box and/or on the lower exterior of the can. Key number can be found on the tag that comes attached to the keys. There may be more than one key number depending on unit.

Please keep this information with your records.

MODEL#: _____

SERIAL#: _____

KEY NUMBER(S): _____

DATE PURCHASED: _____

DISTRIBUTOR: _____

**J.E. Adams Industries
1025 63rd Ave. S.W.
Cedar Rapids, IA 52404
1-800-553-8861
www.jeadams.com**

Specifications

Unit specifications: *(All 2 vacuum motor units)*

Voltage: 120VAC, 60Hz
Amperage: (1) 20 amp service is required for this unit
Weight: 137-147 lbs
Motors: (2) 120VAC vacuum motor
Fuses: (2) 10 amp inline fuses

220VAC units:

Unit specifications: *(All 2 vacuum motor units)*

Voltage: 220VAC, 50Hz
Amperage: (1) 15 amp service is required for this unit
Weight: 137-147 lbs
Motors: (2) 220VAC vacuum motor
Fuses: (2) 8 amp inline fuses

Duty cycle time 4 minutes on, 4 minutes off.

NOTE: "UNIT INTENDED FOR COMMERCIAL USE ONLY"

IMPORTANT SAFETY INSTRUCTIONS

When using an electrical appliance, basic precautions should always be followed, including the following:

READ ALL INSTRUCTIONS BEFORE USING (THIS APPLIANCE)

WARNING – To reduce the risk of fire, electric shock, or injury:

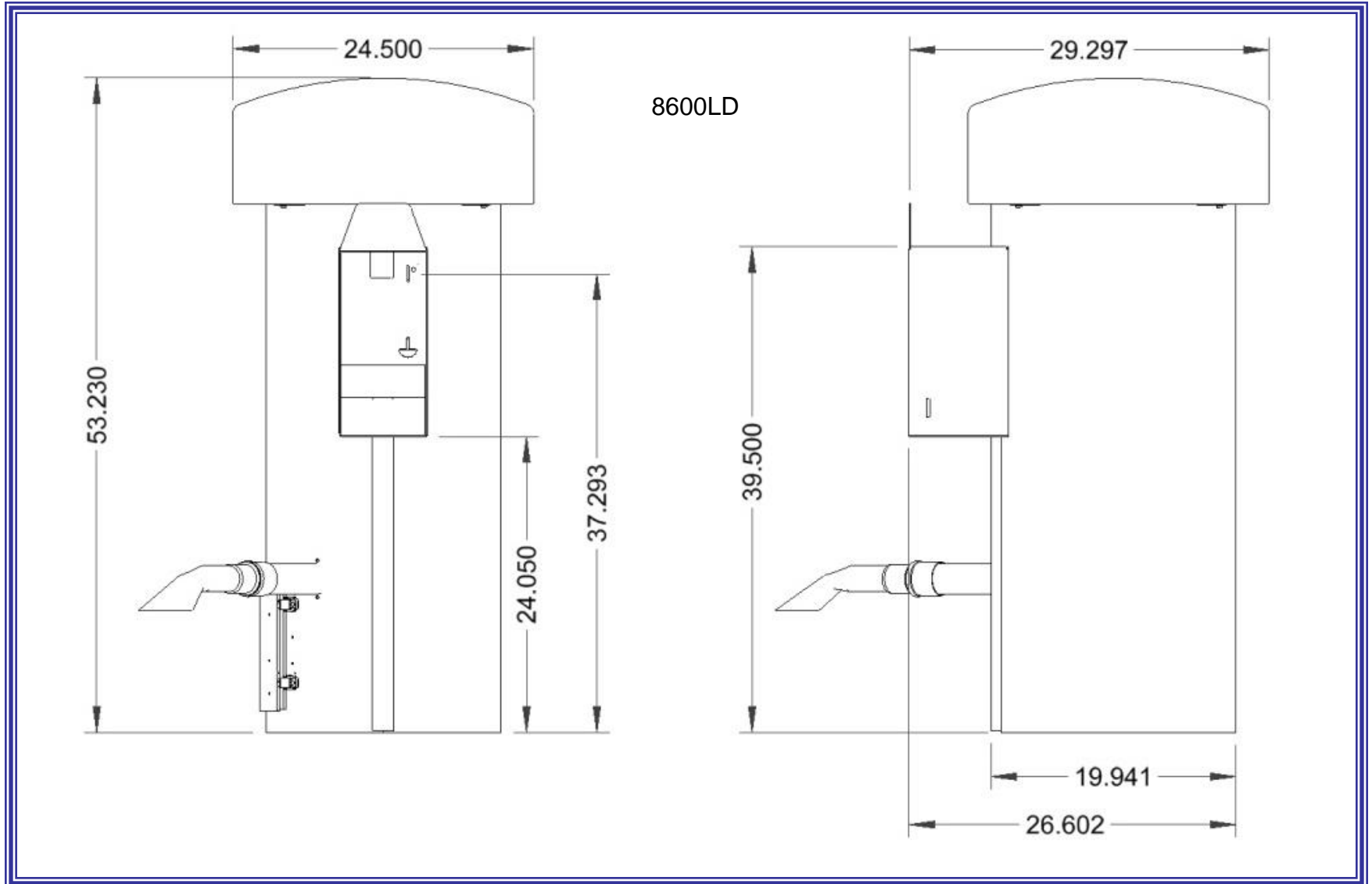
- Do not use on wet surfaces.
- Use only as described in manual. Use only manufactures recommended attachments.
- Do not allow to be used as a toy. Close attention is necessary when used by or near children.
- Do not put any object into openings. Do not use with any opening blocked; keep free of dust, lint, hair and anything that may reduce air flow.
- Keep hair, loose clothing, fingers, and all parts of body away from openings and moving parts.
- Do not use to pick up flammable or combustible liquids, such as gasoline, or use in areas where they may be present.
- Do not pick up anything that is burning or smoking, such as cigarettes, matches, or hot ashes.
- Do not use without dust bag and/or filters in place.



SAVE THESE INSTRUCTIONS

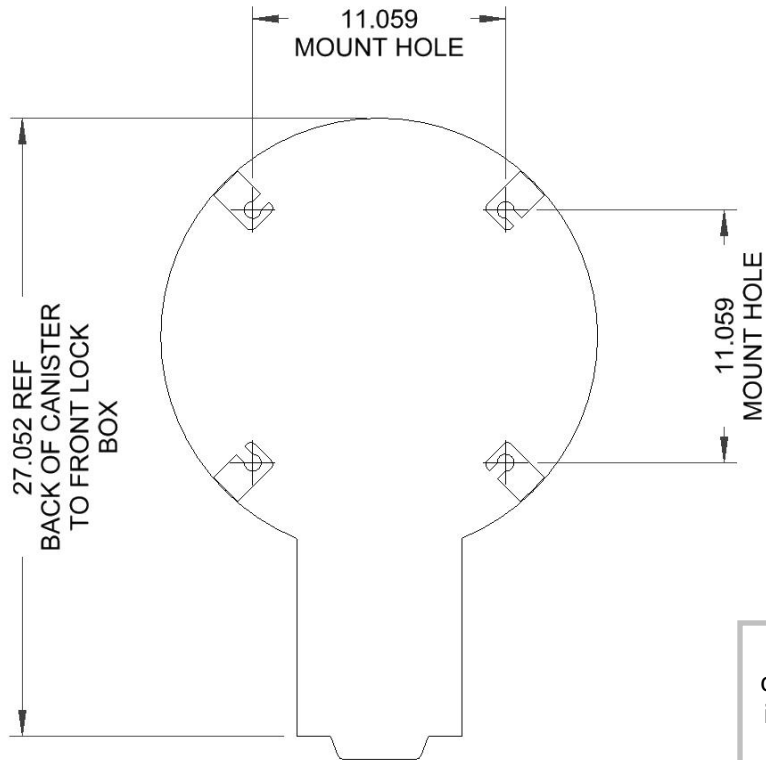
- **Installation Instructions:**
- Determine location to mount unit (“**DANGER**” “**THIS EQUIPMENT INCORPORATES PARTS SUCH AS SWITCHES, MOTORS, OR THE LIKE THAT TEND TO PRODUCE ARCS OR SPARKS THAT CAN CAUSE AN EXPLOSION. WHEN LOCATED IN GASOLINE-DISPENSING AND SERVICE STATIONS INSTALL AND USE AT LEAST 20 FEET (6 M) HORIZONTALLY FROM THE EXTERIOR ENCLOSURE OF ANY DISPENSING PUMP AND AT LEAST 18 INCHES (450 MM) ABOVE A DRIVEWAY OR GROUND LEVEL.**”
- Run electrical service to that location (*NOTE UNIT HAS WIRE PROVIDED UNDERNEATH TO CONNECT INCOMING POWER SUPPLY*).
- **Grounding Instructions:** This appliance must be connected to a grounded metal, permanent wiring system; or an equipment-grounding conductor must be run with the circuit conductors and connected to the equipment-grounding terminal or lead on the appliance.
- **Circuit must be protected by a GFCI device.**
- All local and national electric codes must be followed for installation and use.
- Licensed electricians are recommended for installation.

Product Dimensions



Installation:

PLAN VIEW



NOTE: when mounting, provide clearance so cleanout door can open!!

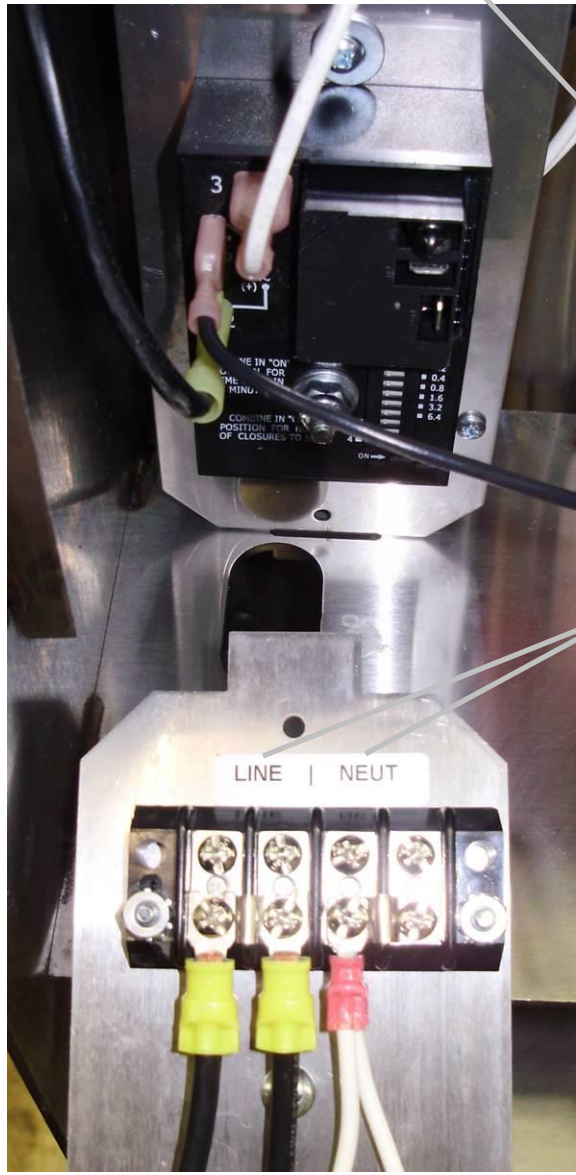


Drill holes into concrete surface and install 3/8" studs (4).

Bring electrical in underneath can and route up front channel to terminal strip.



Bring electrical in underneath can and route up front channel to terminal strip.

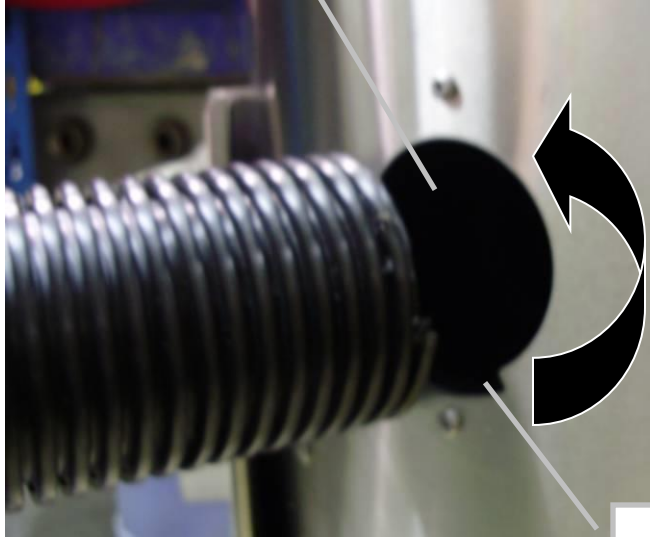


Remove screw from uppermost point of timer plate and tilt/flip down as shown below.

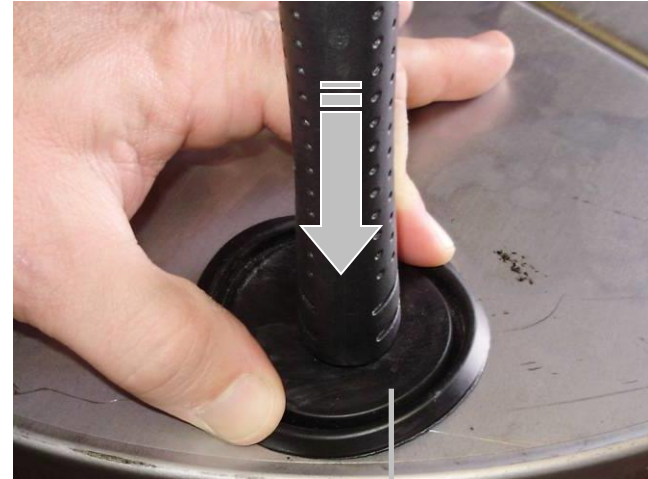
With timer plate flipped down as shown, add incoming power "line and neutral" to terminal strip. (120V)

To attach hose, thread into metal hole counter clockwise.

Once unit has been installed use 5871B8 cap plugs (supplied with unit) to seal holes in canister bottom located in lower cleanout door. Extra cap plugs are included with the unit in case plug becomes damaged during shipping removal.



Edge of hose will need to start here.



To insert 5871B8 cap plugs into bottom holes, pinch cap plug into place using index finger and thumb. With edges of plug resting against edges of hole, firmly push down on plug with end of hammer or other blunt object until plug snaps into place.

Now the unit can be turned on and programmed.

Programming Instructions:

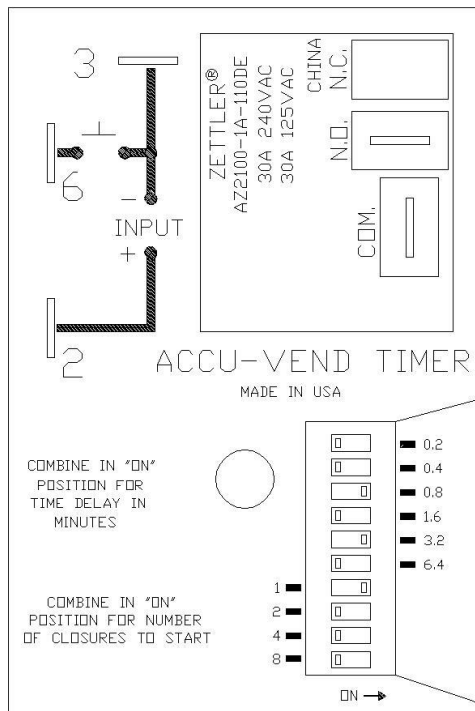
Coin acceptor:

No programming to acceptor needed if unit was purchased with the standard Imonex Z3 acceptor (8149 JEA part number) as it is built accept US quarters.

If different acceptor was purchased, see additional literature sent along with unit for programming info.

Programming:

The below timer pictured is the standard SSAC model that allows the end user to select the "coins to start" and the "time per coin" by settings series of dip switches. The number of "coins to start" dip switch is how many quarters are needed to make the machine come on. In the below example, the "one coin" dip is selected which makes the unit come on with one coin. The "time per coins" will then need to be set, but a good rule of thumb would be 4 minutes which requires dip switches 3.2 and .8 to be set to on. This scenario means 1 quarter will provide 4 minutes of vacuum time. The time per coin setting can be modified as desired by simply adding or subtracting time. If the operator would later decide to increase the cost of the unit to "2" quarters, the 2 dip switch would need to be in the on position (all other off) and the time dip switches would need to have the 1.6 and 0.4 dips selected. This would allow 2 minutes of time for each quarter for a total of 4 minutes for two quarters.



Time in minutes/per coin dip switch settings:

0.2 = 12 seconds

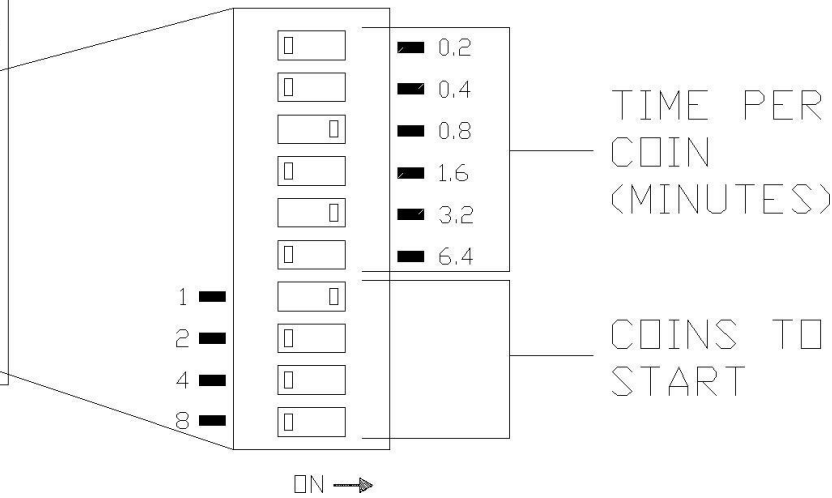
0.4 = 24 seconds

0.8 = 48 seconds

1.6 = 96 seconds

3.2 = 192 seconds

6.4 = 384 seconds



Operating Instructions:

- Insert payment to start vacuum.
- Once service is used, hang up hose.
- Commercial vacuum requires no payment, simply flip toggle switch to on to start.

Maintenance:

- **All servicing of machine should be conducted by an authorized service representative!**
- Filter bags should be accessed and shaken down weekly. It is recommended to keep a new set of bags on hand so that once every few months the bags can be replaced and then laundered.
- To maintain performance, empty dirt bin from the canister on a regular basis.
- Periodically inspect wires and connections for wear or fatigue.
- Check door and motor gaskets periodically for signs of wear or damage and replace as needed.
- Check vac hose for cracks on a weekly basis.
- Clean canister with a stainless steel cleaner as needed. Decals can be cleaned with mild soap and water.
- Check motor brushes every month for excessive wear. Motor brushes should be changed immediately if they are shorter than $\frac{1}{4}$ ". ***Please disconnect power before doing this!***



DISCONNECT POWER BEFORE SERVICING OR TROUBLESHOOTING!



Troubleshooting:

Problem	Possible cause	Solution
Unit is not powered.	Breaker inside fuse panel is not in the on position.	Turn breaker on.
	No power to machine.	Check incoming power line voltage.
	Loose connection.	Check incoming power connection.
Machine is behaving erratically.	Is the incoming power at 120V?	Check voltage and monitor while machine runs. Low voltage can cause erratic behavior.
	Are any of the machines wires worn through or connections not making contact?	Inspect wiring and connections. Look for sharp bends in wires and places where wire is against the metal chassis.

Unit keeps tripping breaker.	Inadequate wire size ran to machine.	Call electrician and install proper wire size for electrical service versus length or run.
	Wrong size breaker.	Install correct breaker (only if wire size is adequate to handle breaker).
Fuses for vac motors keep blowing.	Inadequate wire size ran to machine.	Call electrician and install proper wire size for electrical service versus length or run.
	Motor brushes may be bad or too short.	Replace motor brushes.
Lack of vacuum suction.	Vac hose clogged?	Clean debris from vac hose.
	Filter bags need cleaned or dirt chamber needs emptied?	Shake or clean filter bags or replace and empty lower dirt chamber.
	Vac hose is split?	Replace/repair vac hose.
	Cleanout door gaskets torn or worn?	Replace gaskets.
	Vac motor gaskets are worn or motor is not tight against.	Inspect/replace gaskets and assure motor is tight against them.
	Lower chamber cap plugs/mounting hole covers have popped out?	Open lower chamber and inspect plugs, order new if needed.
	Cleanout door gaskets torn or worn?	Replace gaskets.
	One of the vac motors is not working?	Check line motor fuse and replace. Replace motor if necessary.

BILL OF MATERIALS

ITEM	PART NUMBER	DESCRIPTION	QTY
36	8221WH2	2 MOTOR WIRE HARNESS	1
37	8423-2	DECAL, DOME	1
38	8424-1	DECAL, CANISTER	1
39	8429-1	DECAL, HANG HOSE	1
40	8437D001	DECAL, ELT LISTE	1
41	8505-1	COVER, CONTROL PLATE	1
42	8605	PALLET	1
43	8615-5W	CLEANOUT DOOR WELDMENT	1
45	8631	11 X 55 PAD FOR VAC'S	1
46	8673-10	2 M HARNESS	1
47	8828	TOGGLE SWITCH PLATE	1
48	8918	ON-OFF SWITCH	1
49	B5722-002	3/8-16 LOCK NUT	1



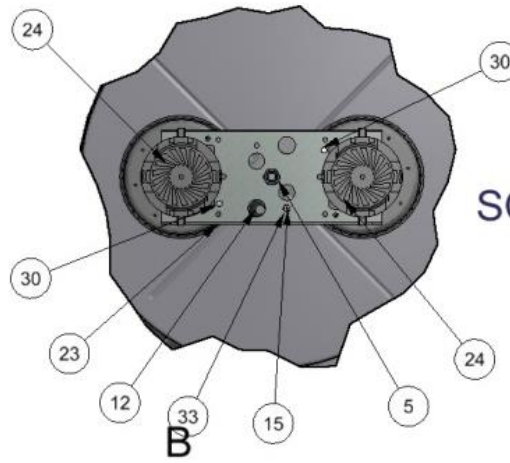
BILL OF MATERIALS

ITEM	PART NUMBER	DESCRIPTION	QTY
1	2036	HOSE, 2" X 15' BLACK VACUUM	1
2	2058	CLAW/CUFF ASSEMBLY, 2"	1
3	5600D4	3/8-16 X 1.5 HHCS	4
4	5603D1	10 Std NC Nylock Nut	1
5	5603D11	1/2 Std NC Nylock Nut	1
6	5606D22	WASHER 3/8	8
7	5606D7	FLAT WASHER, .160 ID X .500 OD	1
8	5619D1	SCR, HEX SOC BUT, HD CPCW, 1	4
10	5629D2	#8 x 1/2 SELF TAPPING SCREW	2
11	5636D1	#10-24 PHIL. PAN HEAD SCREW	2
12	5639D4	RUBBER GROMMET	1
13	5647D2	1/8" SS POP RIVET	16
14	5647D8	3/16" SS POP RIVET	14
15	5662D2	6-32 x 1/2 PHIL. PAN -MACHINE SCREW	1
16	5871B8	PLUG, VAC BOTTOM	8
17	5901D1	YELLOW WIRE NUT	2
18	5901D4	ORNAGE WIRE NUT	2
19	5903D1	4 POS TERMINAL STRIP	1
20	5920	BOOT, TOGGLE SWITCH	1
21	6082	BAG, 9 X 12	1
22	8047	BAG, 60 X 72	1
23	8051G	BRACKET, MOTOR MOUNT	1
24	8055EM	MOTOR, ELECTRO 120V	2
25	8055LEAD-EM	WIRE LEAD ELECTRO MOTOR	4
26	8079	ASSEMBLY, FILTER BAG	2
27	8081	CABLE TIE MOUNT	2
28	8084	CABLE TIE	3
29	8101	20" STAINLESS STEEL DOME	1
30	8108	#10 x 1/2 TAP SCREW	2
31	8119W	COMMERCIAL ECONOVAC CANISTER W/C	1
32	8153-1	LATCH, CLEANOUT DOOR	2
33	8157	NUT, #6-32 KEPP NUT STAINLESS	1
34	8159	DOOR GASKET	1
35	8183	DECAL, WARNING	2

TITLE
ECONO CLASS COMMERCIAL VACUUM

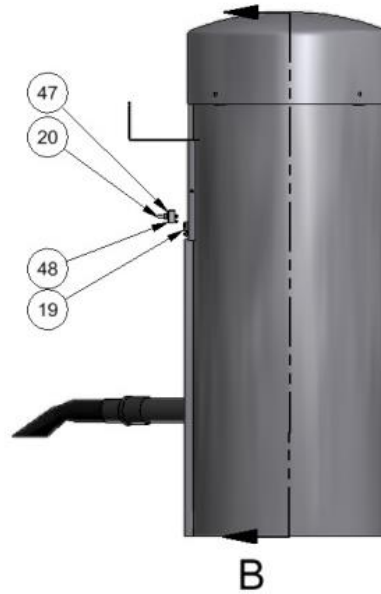
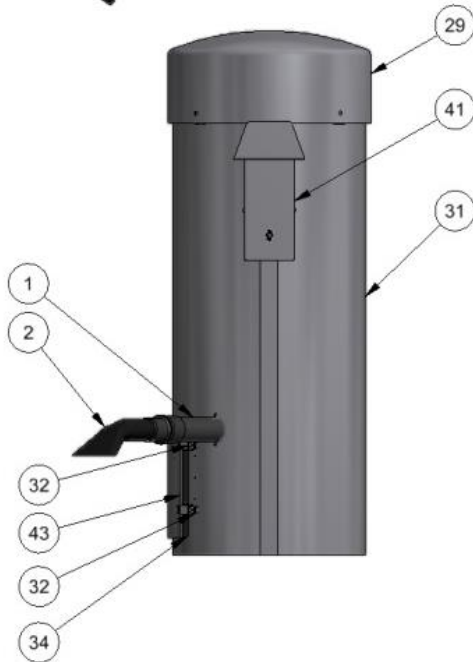
B	7154	REMOVED 8630D36	8-29-13	CK
A	6997	CREATED INVENTOR DRAWING; NO PREVIOUS DRAWING EXISTED	7-17-12	CK
REV	NO.	DESCRIPTION	DATE	BY
THIS DOCUMENT SHALL NOT BE REPRODUCED NOR SHALL THE INFORMATION THEREIN BE USED BY OR DISCLOSED TO OTHERS EXCEPT AS AUTHORIZED BY J.E. ADAMS INDUSTRIES				

UNSPECIFIED TOLERANCES	MATERIAL		CEDAR RAPIDS, IOWA
1 PL ±.030	SCALE		
2 PL ±.010	DRAWN BY CHAD K.		PART NO. 8105
3 PL ±.003	DATE 7/17/2012		
ANGLE ±1.0°			



DETAIL A
SCALE 0.12 : 1

SECTION B-B
SCALE 0.06 : 1



TITLE
ECONO CLASS COMMERCIAL VACUUM

UNSPECIFIED TOLERANCES

- 1 PL ±.030
- 2 PL ±.010
- 3 PL ±.003
- ANGLE ±1.0°

MATERIAL

SCALE

DRAWN BY
CHAD K.

DATE
7/17/2012



PART NO.

8105

REV.
B

REV	NO.	DESCRIPTION	DATE	BY
-----	-----	-------------	------	----

THIS DOCUMENT SHALL NOT BE REPRODUCED NOR SHALL THE INFORMATION THEREIN BE USED BY OR DISCLOSED TO OTHERS EXCEPT AS AUTHORIZED BY J.E. ADAMS INDUSTRIES

PART NO. 8200

BILL OF MATERIALS

ITEM	PART NUMBER	DESCRIPTION	QTY
39	8605	PALLET, VAC, 26" X 30.5"	1
40	8615-5W	CLEANOUT DOOR WELDMENT	1
41	8631	11 X 55 PAD FOR VACS	1
42	8638	PIN LOCK	2
43	8673-11	GROUND WIRE 28"	1
44	9200FPD	DECAL, FACEPLATE	1
45	B5722-002	NUT, 3/8-16 UNC HEX LOCK NUT	4



BILL OF MATERIALS

ITEM	PART NUMBER	DESCRIPTION	QTY
1	2036	HOSE, 2" X 15' BLACK VACUUM	1
2	2058	CLAW/CUFF ASSEMBLY, 2"	1
3	5600D4	3/8-16 X 1.5 HHCS	4
4	5603D1	10 Std NC Nylock Nut	1
5	5603D11	1/2 Std NC Nylock Nut	1
6	5606D22	WASHER, 3/8 FENDER	8
7	5606D7	FLAT WASHER, .160 ID X .500 OD	1
8	5619D1	SCR, HEX SOC BUT, HD CPCW, 1	4
9	5627D2	6-32 x .63 PD, PH, MS	1
10	5629D1	SCREW, #8X1.0, HWH, SM, ZP	1
11	5639D4	RUBBER GROMMET	1
12	5647D2	1/8" SS POP RIVET	8
13	5647D8	3/16" SS POP RIVET	7
14	5871b8	PLUG, VAC BOTTOM 2-1/2"	8
15	5901D1	YELLOW WIRE NUT	2
16	6082	BAG, 9 X 12	1
17	8051G	BRACKET, MOTOR MOUNT	1
18	8055EM	MOTOR, ELECTRO 120V	2
19	8079	ASSEMBLY, FILTER BAG	2
20	8081	CABLE TIE MOUNT	2
21	8084	CABLE TIE	3
22	8085	CABLE TIE	1
23	8101	20" STAINLESS STEEL DOME	1
24	8108	#10 x 1/2 TAP SCREW	4
25	8149	IMONEX COIN ACCEPTOR	1
26	8153-1	LATCH, CLEANOUT DOOR	2
27	8157	NUT, #6-32 KEPP NUT STAINLESS	5
28	8159	DOOR GASKET	1
29	8183	DECAL, WARNING	2
30	8201W	VACUUM CANISTER W/C	1
31	8204RW	COIN BOX, PIN LOCK WELDMENT	1
32	8211RW	FACEPLATE WELDMENT, R.H	1
33	8221SS4	TIMER ASSY, 120 VAC ACCUMULATING TIMER	1
34	8221WH2	WIRE HARNESS	1
35	8423-2	DECAL, DOME	1
36	8427-1	DECAL, CANISTER	1
37	8429-1	DECAL, HANG HOSE	1
38	8437D001	DECAL, ETL LISTED	1

TITLE
VACUUM, SINGLE DOOR, 2 MOTOR, ECONO DOME

REV	NO.	DESCRIPTION	DATE	BY
B	7890	REMOVED 8424-1 AND ADDED 8427-1	11-14-16	CK
A	6846	REVISED AND DRAWN TO INVENTOR; NO PREVIOUS DRAWING	2-20-12	CK

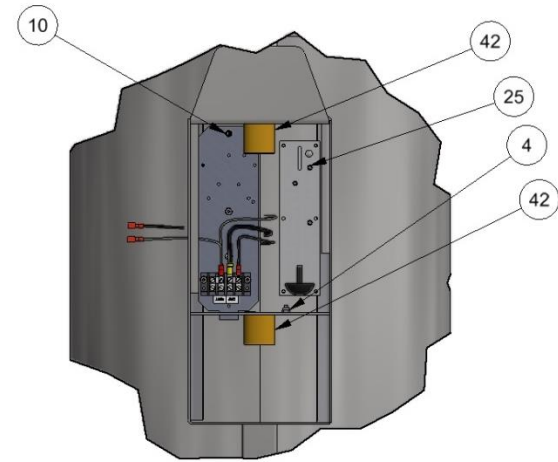
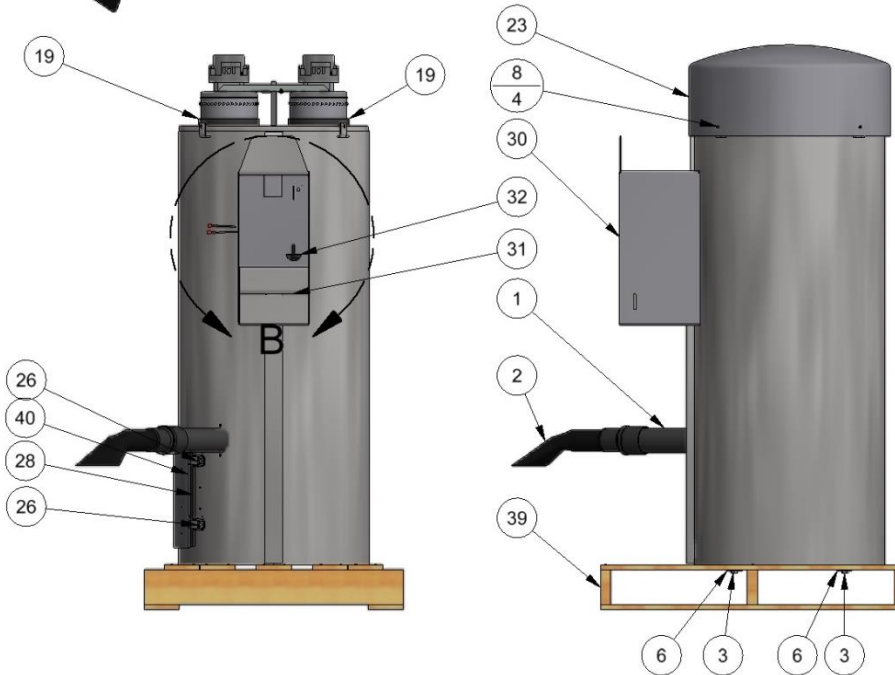
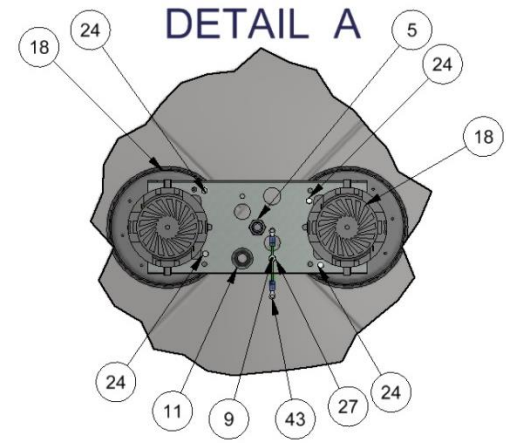
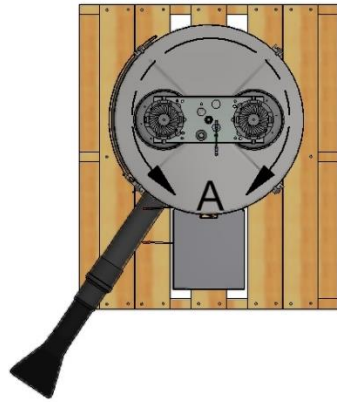
UNSPECIFIED TOLERANCES	MATERIAL
1 PL ±.030	SCALE
2 PL ±.010	DRAWN BY CHAD K.
3 PL ±.003	DATE 2/20/2012
ANGLE ±1.0°	

CEDAR RAPIDS, IOWA

PART NO. 8200

REV. B

THIS DOCUMENT SHALL NOT BE REPRODUCED NOR SHALL THE INFORMATION THEREIN BE USED BY OR DISCLOSED TO OTHERS EXCEPT AS AUTHORIZED BY J.E. ADAMS INDUSTRIES



DETAIL B

TITLE		VACUUM, SINGLE DOOR, 2 MOTOR, ECONO DOME		
UNSPECIFIED TOLERANCES	MATERIAL	CEDAR RAPIDS, IOWA		
	SCALE			
	DRAWN BY			CHAD K.
	DATE			2/20/2012
1 PL ±.030		PART NO.	8200	
2 PL ±.010		REV.	B	
3 PL ±.003				
ANGLE ±1.0°				

REV	NO.	DESCRIPTION	DATE	BY
THIS DOCUMENT SHALL NOT BE REPRODUCED NOR SHALL THE INFORMATION THEREIN BE USED BY OR DISCLOSED TO OTHERS EXCEPT AS AUTHORIZED BY J.E. ADAMS INDUSTRIES				

BILL OF MATERIALS				BILL OF MATERIALS			
ITEM	PART NUMBER	DESCRIPTION	QTY	ITEM	PART NUMBER	DESCRIPTION	QTY
36	8601W	VACUUM CANISTER W/C	1	1	2036	HOSE, 2" X 15' BLACK VACUUM	1
37	8605	PALLET, VAC, 26" X 30.5"	1	2	2058	CLAW/CUFF ASSEMBLY, 2"	1
38	8615-5W	CLEANOUT DOOR WELDMENT	1	3	5600D4	3/8-16 X 1.5 HHCS	4
39	8631	11 X 55 PAD FOR VAC'S	1	4	5601D13	1/4-20 x 3/4 AQ BR OSC FAN	4
40	8638	PIN LOCK	2	5	5603D1	10 Std NC Nylock Nut	1
41	8673-11	GROUND WIRE 28"	1	6	5603D11	1/2 Std NC Nylock Nut	1
42	8925	FLOURESCENT BULB	2	7	5606D22	WASHER, 3/8 FENDER	8
43	9200FPD	DECAL, FACEPLATE	1	8	5606D7	FLAT WASHER, .160 ID X .500 OD	1
44	B5722-002	NUT, 3/8-16 UNC HEX LOCK NUT	4	9	5627D2	Pan Head, Slotted, 6-32 x 5/8	1



10	5629D1	#8 x 1 SELF TAPPING SCREW	1
11	5647D2	1/8" SS POP RIVET	8
12	5647D8	3/16" SS POP RIVET	7
13	5871b8	PLUG, VAC BOTTOM 2-1/2"	8
14	5901D1	YELLOW WIRE NUT	2
15	6082	BAG, 9 X 12	1
16	8055EM	MOTOR, ELECTRO 120V	2
17	8079	ASSEMBLY, FILTER BAG	2
18	8081	CABLE TIE MOUNT	2
19	8084	CABLE TIE	3
20	8085	CABLE TIE	1
21	8108	#10 x 1/2 TAP SCREW	4
22	8149	IMONEX COIN ACCEPTOR	1
23	8153-1	LATCH, CLEANOUT DOOR	2
24	8157	NUT, #6-32 KEPP NUT STAINLESS	5
25	8159	DOOR GASKET	1
26	8183	DECAL, WARNING	1
27	8204RW	WELDMENT, COIN BOX	1
28	8211RW	FACEPLATE WELDMENT, R.H	1
29	8221SS4	TIMER ASSY, 110 SSAC	1
30	8221WH2	WIRE HARNESS	1
31	8306	24" PLASTIC DOME	1
32	8424-1	DECAL, CANISTER	1
33	8429-1	DECAL, HANG HOSE	1
34	8437D001	DECAL, ETL LISTED	1
35	8543K	2 MOTOR LIGHT KIT	1

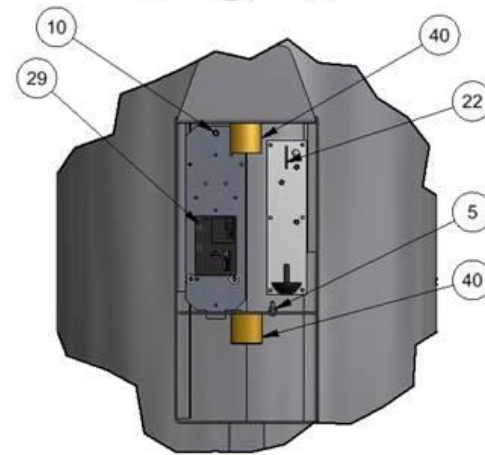
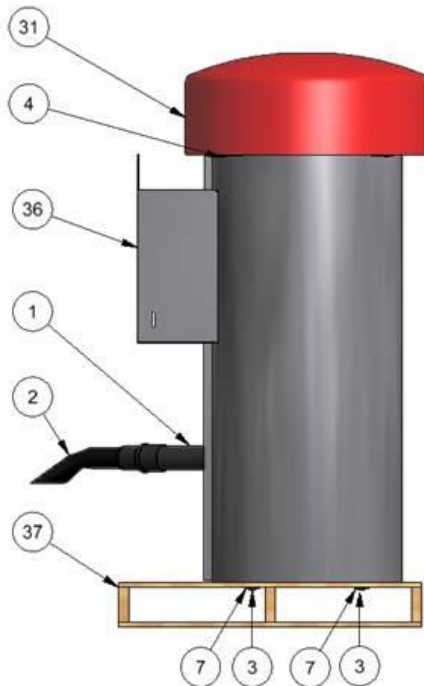
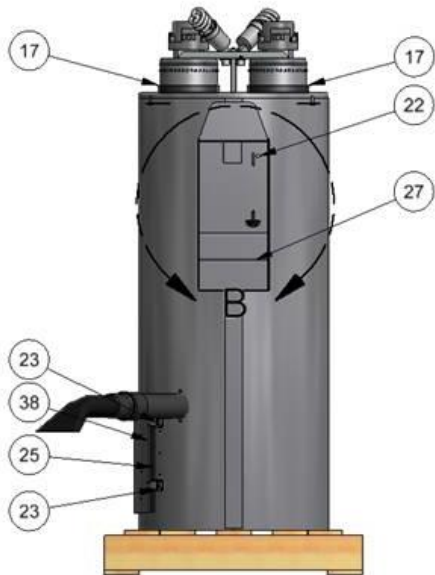
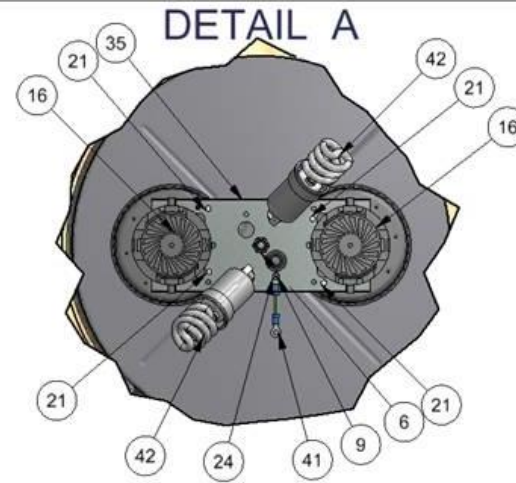
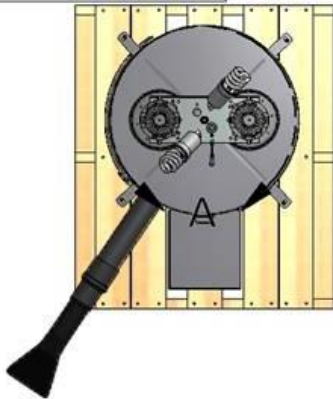
TITLE
VACUUM, SINGLE DOOR, 2 MOTOR, LD

UNSPECIFIED TOLERANCES	MATERIAL		CEDAR RAPIDS, IOWA
1 PL ±.030	SCALE		
2 PL ±.010	DRAWN BY	CHAD K.	
3 PL ±.003	DATE	2/20/2012	
ANGLE ±1.0°	PART NO.	8600LD	REV. A

REV	NO.	DESCRIPTION	DATE	BY
THIS DOCUMENT SHALL NOT BE REPRODUCED NOR SHALL THE INFORMATION THEREIN BE USED BY OR DISCLOSED TO OTHERS EXCEPT AS AUTHORIZED BY J.E. ADAMS INDUSTRIES				

PART NO.

8600LD



DETAIL B

TITLE
VACUUM, SINGLE DOOR, 2 MOTOR, LD

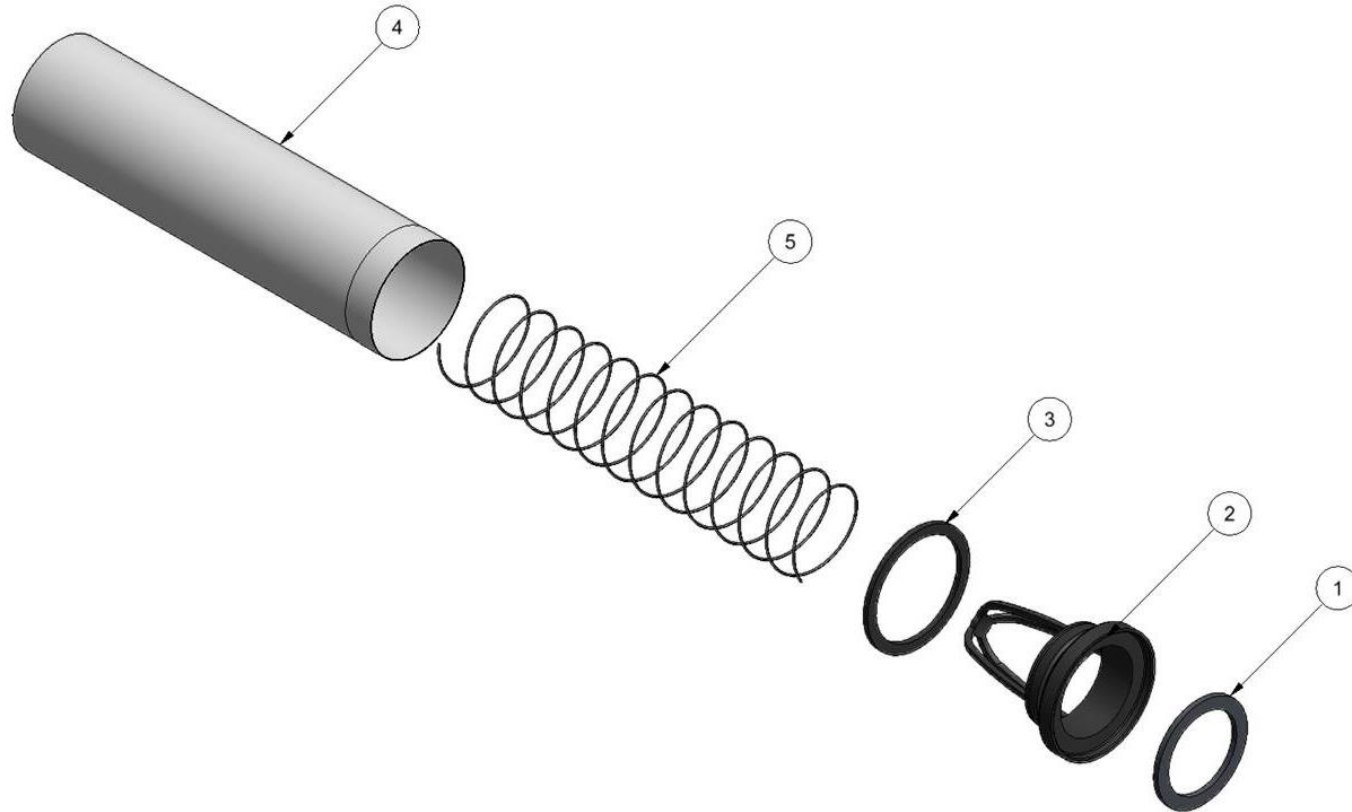
UNSPECIFIED TOLERANCES	MATERIAL	 CEDAR RAPIDS, IOWA
1 PL ±.030	SCALE	
2 PL ±.010	DRAWN BY CHAD K.	PART NO. 8600LD
3 PL ±.003	DATE 2/20/2012	
ANGLE ±1.0°		

REV	NO.	DESCRIPTION	DATE	BY
-----	-----	-------------	------	----

THIS DOCUMENT SHALL NOT BE REPRODUCED NOR SHALL THE INFORMATION THEREIN BE USED BY OR DISCLOSED TO OTHERS EXCEPT AS AUTHORIZED BY J.E. ADAMS INDUSTRIES

EXPLODED VIEW: 8079 FILTER BAG ASSEMBLY

BILL OF MATERIALS			
ITEM	PART NUMBER	DESCRIPTION	QTY
1	8057	MOTOR GASKET	1
2	8060	MOTOR BUSHING	1
3	8063	BUSHING GASKET	1
4	8072	FILTER BAG W/ O-RING	1
5	8075	FILTER BAG SPRING	1



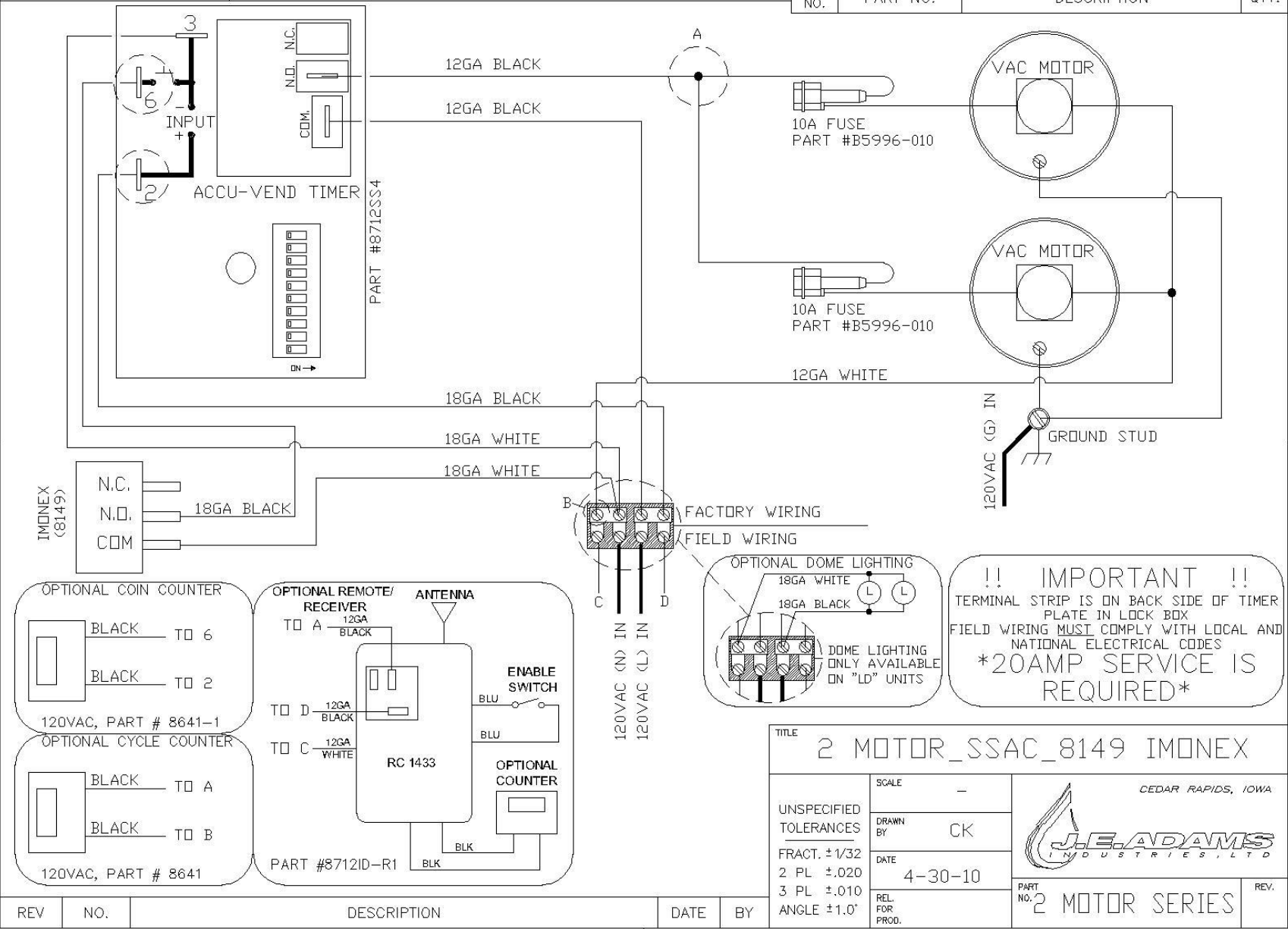
THIS DOCUMENT SHALL NOT BE REPRODUCED NOR SHALL THE INFORMATION THEREIN BE USED BY OR DISCLOSED TO OTHERS EXCEPT AS AUTHORIZED BY J.E. ADAMS INDUSTRIES

CEDAR RAPIDS, IOWA




PART NO. **8079**

ITEM NO.	PART NO.	DESCRIPTION	QTY.
----------	----------	-------------	------

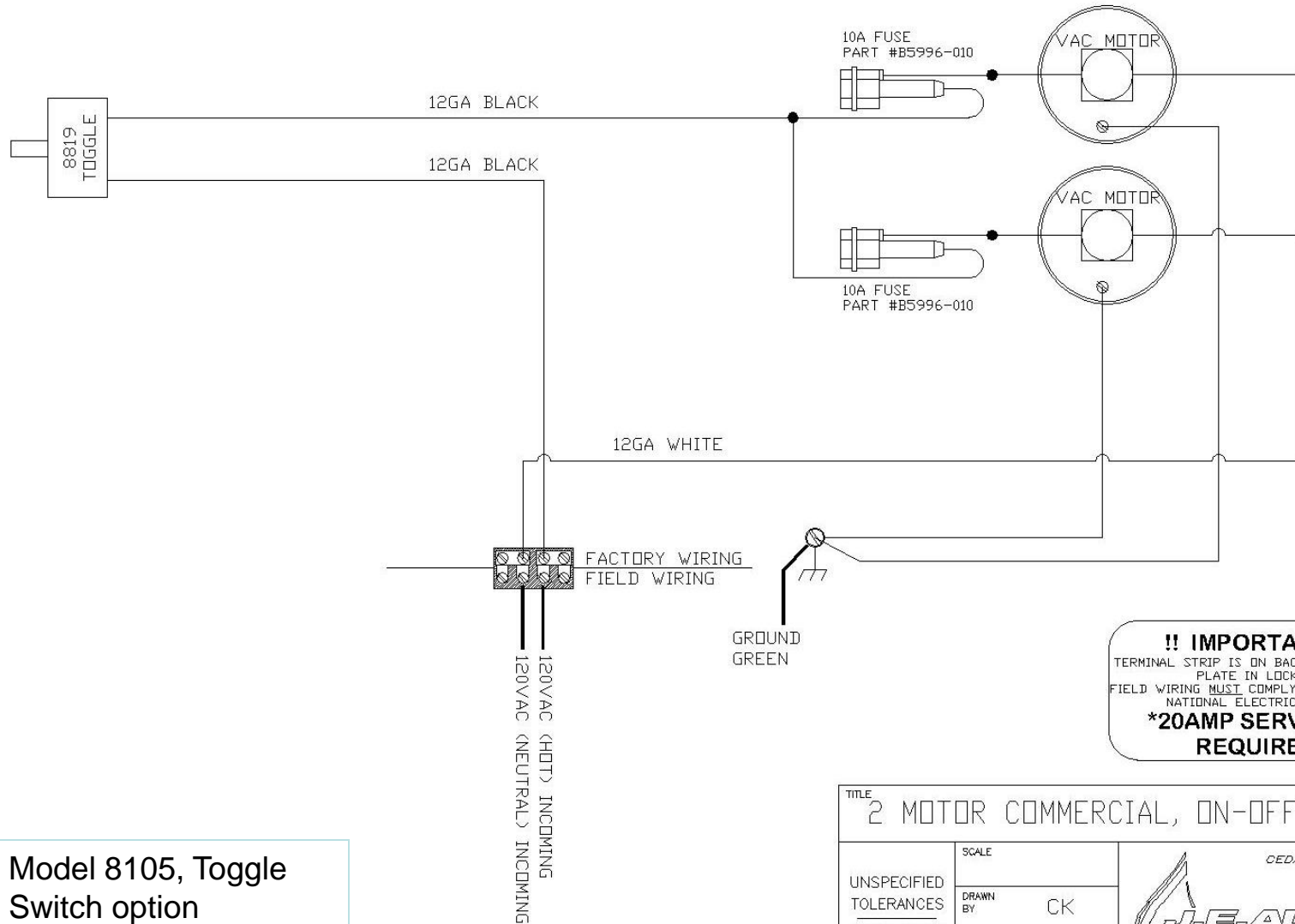


!! IMPORTANT !!
 TERMINAL STRIP IS ON BACK SIDE OF TIMER PLATE IN LOCK BOX
 FIELD WIRING MUST COMPLY WITH LOCAL AND NATIONAL ELECTRICAL CODES
20AMP SERVICE IS REQUIRED

TITLE 2 MOTOR_SSAC_8149 IMONEX		CEDAR RAPIDS, IOWA	
UNSPECIFIED TOLERANCES	SCALE -		
FRACT. ±1/32	DRAWN BY CK		
2 PL ±.020	DATE 4-30-10		
3 PL ±.010	REL. FOR PROD.		
ANGLE ±1.0°		PART NO. 2 MOTOR SERIES	REV.


REV	NO.	DESCRIPTION	DATE	BY
-----	-----	-------------	------	----

ITEM NO.	PART NO.	DESCRIPTION	QTY.
----------	----------	-------------	------



!! IMPORTANT !!
 TERMINAL STRIP IS ON BACK SIDE OF TIMER PLATE IN LOCK BOX
 FIELD WIRING MUST COMPLY WITH LOCAL AND NATIONAL ELECTRICAL CODES
20AMP SERVICE IS REQUIRED

Model 8105, Toggle Switch option

TITLE 2 MOTOR COMMERCIAL, ON-OFF TOGGLE		SCALE		CEDAR RAPIDS, IOWA	
UNSPECIFIED TOLERANCES		DRAWN BY CK			
FRACT. ±1/32		DATE 7-27-11			
2 PL ±.020		REL. FOR PROD.			
3 PL ±.010		-		PART NO. 2 MOTOR COMMERCIAL	
ANGLE ±1.0°				REV.	

REV	NO.	DESCRIPTION	DATE	BY
-----	-----	-------------	------	----